

800 Liter Bench Tank Packages - 3:1 Ratio Pumps

All bench tanks come with;
 800BT 800 liter bench tank
 35567-55 3:1 ratio pump
 10/23-BT suction tube
 Bung bushing comes with pump
 37810-55 Ai line filter, regulator & gauge
 1/2" X 60" lube connect hose
 Air quick connect coupler
 Air quick connect nipple
Note: Air connect hose supplied by customer
 8530.401-360 1/2" x 35 FT. hose reel or
 8530.401-600 1/2" x 50 FT. hose reel
 Hose stop (comes with hose reel)
 Meter or Dispense Valve (see below)



MODELS WITH 3:1 PUMP - 35 FT. HOSE REEL

Model Number	Tank Capacity	Pump No. & Ratio	Hose Reel No. & Size	Dispense Valve No. & Type
800BT-3-R35A	Part No. 800BT 1,500 Liter Bench Tank see dimensions and level chart on separate page	35567-55 3:1 ratio	8530.401-360 1/2" x 35 FT.	1520L Mechanical Pre-Set
800BT-3-R35B		35567-55 3:1 ratio	8530.401-360 1/2" x 35 FT.	37738-55 Non-metered (Flexible)
800BT-3-R35C		35567-55 3:1 ratio	8530.401-360 1/2" x 35 FT.	3776-55 Volume Non-metered (Flex. Ext.)
800BT-3-R35D		35567-55 3:1 ratio	8530.401-360 1/2" x 35 FT.	37739-55 Standard Digital Meter
800BT-3-R35E		35567-55 3:1 ratio	8530.401-360 1/2" x 35 FT.	1515L Standard Mechanical Meter
800BT-3-R35F		35567-55 3:1 ratio	8530.401-360 1/2" x 35 FT.	37731-55 Non-metered (Rigid Ext.)
800BT-3-R35G		35567-55 3:1 ratio	8530.401-360 1/2" x 35 FT.	37777-55 Volume Non-metered (Rigid Ext.)
800BT-3-R35H		35567-55 3:1 ratio	8530.401-360 1/2" x 35 FT.	37709-55 Digital Pre-set Meter

MODELS WITH 3:1 PUMP - 50 FT. HOSE REEL

Model Number	Tank Capacity	Pump No. & Ratio	Hose Reel No. & Size	Dispense Valve No. & Type
800BT-3-R50A	Part No. 800BT 1,500 Liter Bench Tank see dimensions and level chart on separate page	35567-55 3:1 ratio	8530.401-600 1/2" x 50 FT.	1520L Mechanical Pre-Set
800BT-3-R50B		35567-55 3:1 ratio	8530.401-600 1/2" x 50 FT.	37738-55 Non-metered (Flexible)
800BT-3-R50C		35567-55 3:1 ratio	8530.401-600 1/2" x 50 FT.	3776-55 Volume Non-metered (Flex. Ext.)
800BT-3-R50D		35567-55 3:1 ratio	8530.401-600 1/2" x 50 FT.	37739-55 Standard Digital Meter
800BT-3-R50E		35567-55 3:1 ratio	8530.401-600 1/2" x 50 FT.	1515L Standard Mechanical Meter
800BT-3-R50F		35567-55 3:1 ratio	8530.401-600 1/2" x 50 FT.	37731-55 Non-metered (Rigid Ext.)
800BT-3-R50G		35567-55 3:1 ratio	8530.401-600 1/2" x 50 FT.	37777-55 Volume Non-metered (Rigid Ext.)
800BT-3-R50H		35567-55 3:1 ratio	8530.401-600 1/2" x 50 FT.	37709-55 Digital Pre-set Meter

800 Liter Bench Tank Packages - 5:1 Ratio Pumps

All bench tanks come with;

- 800BT 800 liter bench tank
- 36167-55 5:1ratio pump
- 10/23-BT suction tube
- Bung bushing comes with pump
- 37810-55 Ai line filter, regulator & gauge
- 1/2" X 60" lube connect hose
- Air quick connect coupler
- Air quick connect nipple

Note: Air connect hose supplied by customer

- 8530.401-360 1/2" x 35 FT. hose reel or
- 8530.401-600 1/2" x 50 FT. hose reel
- Hose stop (comes with hose reel)
- Meter or Dispense Valve (see below)



MODELS WITH 5:1 PUMP - 35 FT. HOSE REEL

Model Number	Tank Capacity	Pump No. & Ratio	Hose Reel No. & Size	Dispense Valve No. & Type
800BT-5-R35A	Part No. 800BT 1,500 Liter Bench Tank see dimensions on back of this page	36167-55 5:1 ratio	8530.401-360 1/2" x 35 FT.	1520L Mechanical Pre-Set
800BT-5-R35B		36167-55 5:1 ratio	8530.401-360 1/2" x 35 FT.	37738-55 Non-metered (Flexible)
800BT-5-R35C		36167-55 5:1 ratio	8530.401-360 1/2" x 35 FT.	3776-55 Volume Non-metered (Flex. Ext.)
800BT-5-R35D		36167-55 5:1 ratio	8530.401-360 1/2" x 35 FT.	37739-55 Standard Digital Meter
800BT-5-R35E		36167-55 5:1 ratio	8530.401-360 1/2" x 35 FT.	1515L Standard Mechanical Meter
800BT-5-R35F		36167-55 5:1 ratio	8530.401-360 1/2" x 35 FT.	37731-55 Non-metered (Rigid Ext.)
800BT-5-R35G		36167-55 5:1 ratio	8530.401-360 1/2" x 35 FT.	37777-55 Volume Non-metered (Rigid Ext.)
800BT-5-R35H		36167-55 5:1 ratio	8530.401-360 1/2" x 35 FT.	37709-55 Digital Pre-set Meter

MODELS WITH 5:1 PUMP - 50 FT. HOSE REEL

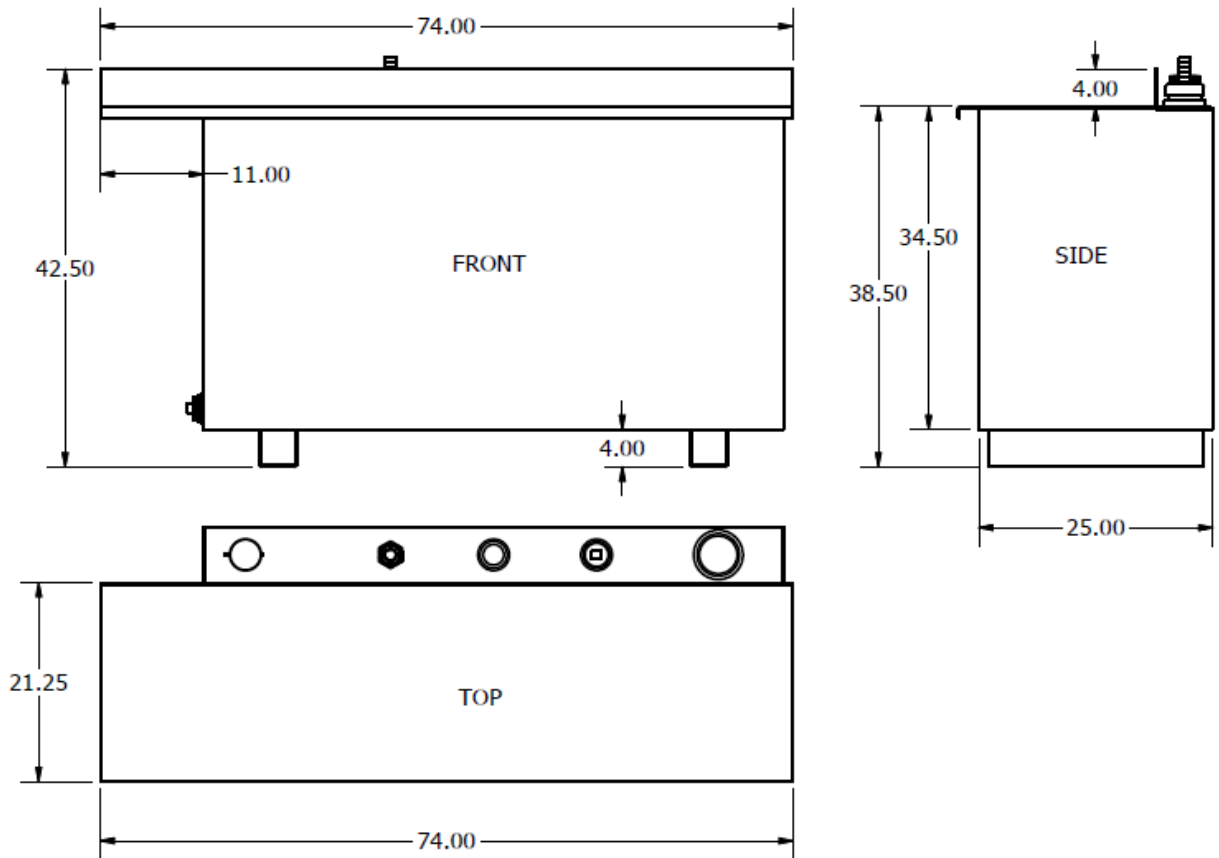
Model Number	Tank Capacity	Pump No. & Ratio	Hose Reel No. & Size	Dispense Valve No. & Type
800BT-5-R50A	Part No. 800BT 1,500 Liter Bench Tank see dimensions on back of this page	36167-55 5:1 ratio	8530.401-600 1/2" x 50 FT.	1520L Mechanical Pre-Set
800BT-5-R50B		36167-55 5:1 ratio	8530.401-600 1/2" x 50 FT.	37738-55 Non-metered (Flexible)
800BT-5-R50C		36167-55 5:1 ratio	8530.401-600 1/2" x 50 FT.	3776-55 Volume Non-metered (Flex. Ext.)
800BT-5-R50D		36167-55 5:1 ratio	8530.401-600 1/2" x 50 FT.	37739-55 Standard Digital Meter
800BT-5-R50E		36167-55 5:1 ratio	8530.401-600 1/2" x 50 FT.	1515L Standard Mechanical Meter
800BT-5-R50F		36167-55 5:1 ratio	8530.401-600 1/2" x 50 FT.	37731-55 Non-metered (Rigid Ext.)
800BT-5-R50G		36167-55 5:1 ratio	8530.401-600 1/2" x 50 FT.	37777-55 Volume Non-metered (Rigid Ext.)
800BT-5-R50H		36167-55 5:1 ratio	8530.401-600 1/2" x 50 FT.	37709-55 Digital Pre-set Meter



Lubrication & Fluid Handling Solutions

12 French Drive, Orangeville, ON Technical Sales: Bob Lewis (519) 658-3204 bob@appliedlubrication.com

800 Liter Bench Tank Dimensions



Level Chart – 800 Liter Bench Tank

Inches Left in Tank	Liters Left in Tank	Inches Left in Tank	Liters Left in Tank	Inches Left in Tank	Liters Left in Tank	Inches Left in Tank	Liters Left in Tank
1"	23	11"	255	21"	487	31"	719
2"	46	12"	278	22"	510	32"	742
3"	70	13"	301	23"	533	33"	765
4"	93	14"	325	24"	557	34"	788
5"	116	15"	348	25"	580	34.5"	800
6"	139	16"	371	26"	603		
7"	162	17"	394	27"	626		
8"	186	18"	417	28"	649		
9"	209	19"	441	29"	672		
10"	232	20"	464	30"	696		