

540 Liter Bench Tank Packages - 3:1 Ratio Pumps

All bench tanks come with;

- 540BT 540 liter bench tank
- 35567-55 3:1 ratio pump
- 10/23-BT suction tube
- Bung bushing comes with pump
- 37810-55 Ai line filter, regulator & gauge
- 1/2" X 60" lube connect hose
- Air quick connect coupler
- Air quick connect nipple

Note: Air connect hose supplied by customer

- 8530.401-360 1/2" x 35 FT. hose reel or
- 8530.401-600 1/2" x 50 FT. hose reel
- Hose stop (comes with hose reel)
- Meter or Dispense Valve (see below)



MODELS WITH 3:1 PUMP - 35 FT. HOSE REEL

Model Number	Tank Capacity	Pump No. & Ratio	Hose Reel No. & Size	Dispense Valve No. & Type
540BT-3-R35A	Part No. 540BT 540 Liter Bench Tank see dimensions and level chart on separate page	35567-55 3:1 ratio	8530.401-360 1/2" x 35 FT.	1520L Mechanical Pre-Set
540BT-3-R35B		35567-55 3:1 ratio	8530.401-360 1/2" x 35 FT.	37738-55 Non-metered (Flexible)
540BT-3-R35C		35567-55 3:1 ratio	8530.401-360 1/2" x 35 FT.	3776-55 Volume Non-metered (Flex. Ext.)
540BT-3-R35D		35567-55 3:1 ratio	8530.401-360 1/2" x 35 FT.	37739-55 Standard Digital Meter
540BT-3-R35E		35567-55 3:1 ratio	8530.401-360 1/2" x 35 FT.	1515L Standard Mechanical Meter
540BT-3-R35F		35567-55 3:1 ratio	8530.401-360 1/2" x 35 FT.	37731-55 Non-metered (Rigid Ext.)
540BT-3-R35G		35567-55 3:1 ratio	8530.401-360 1/2" x 35 FT.	37777-55 Volume Non-metered (Rigid Ext.)
540BT-3-R35H		35567-55 3:1 ratio	8530.401-360 1/2" x 35 FT.	37709-55 Digital Pre-set Meter

MODELS WITH 3:1 PUMP - 50 FT. HOSE REEL

Model Number	Tank Capacity	Pump No. & Ratio	Hose Reel No. & Size	Dispense Valve No. & Type
540BT-3-R50A	Part No. 540BT 540 Liter Bench Tank see dimensions and level chart on separate page	35567-55 3:1 ratio	8530.401-600 1/2" x 50 FT.	1520L Mechanical Pre-Set
540BT-3-R50B		35567-55 3:1 ratio	8530.401-600 1/2" x 50 FT.	37738-55 Non-metered (Flexible)
540BT-3-R50C		35567-55 3:1 ratio	8530.401-600 1/2" x 50 FT.	3776-55 Volume Non-metered (Flex. Ext.)
540BT-3-R50D		35567-55 3:1 ratio	8530.401-600 1/2" x 50 FT.	37739-55 Standard Digital Meter
540BT-3-R50E		35567-55 3:1 ratio	8530.401-600 1/2" x 50 FT.	1515L Standard Mechanical Meter
540BT-3-R50F		35567-55 3:1 ratio	8530.401-600 1/2" x 50 FT.	37731-55 Non-metered (Rigid Ext.)
540BT-3-R50G		35567-55 3:1 ratio	8530.401-600 1/2" x 50 FT.	37777-55 Volume Non-metered (Rigid Ext.)
540BT-3-R50H		35567-55 3:1 ratio	8530.401-600 1/2" x 50 FT.	37709-55 Digital Pre-set Meter



Lubrication & Fluid Handling Solutions

12 French Drive, Orangeville, ON Technical Sales : Bob Lewis Cell (519) 658-3204 E-Mail: bob@appliedlubrication.com

540 Liter Bench Tank Packages 5:1 Ratio Pumps

All bench tanks come with;

- 540 BT 540 liter bench tank
- 36167-55 5:1ratio pump
- 10/23-BT suction tube
- Bung bushing comes with pump
- 37810-55 Ai line filter, regulator & gauge
- 1/2" X 60" lube connect hose
- Air quick connect coupler
- Air quick connect nipple

Note: Air connect hose supplied by customer

- 8530.401-360 1/2" x 35 FT. hose reel or
- 8530.401-600 1/2" x 50 FT. hose reel
- Hose stop (comes with hose reel)
- Meter or Dispense Valve (see below)



MODELS WITH 5:1 PUMP - 35 FT. HOSE REEL

Model Number	Tank Capacity	Pump No. & Ratio	Hose Reel No. & Size	Dispense Valve No. & Type
540BT-5-R35A	540 Liter Bench Tank see dimensions and level chart on separate page	36167-55 5:1 ratio	8530.401-360 1/2" x 35 FT.	1520L Mechanical Pre-Set
540BT-5-R35B		36167-55 5:1 ratio	8530.401-360 1/2" x 35 FT.	37738-55 Non-metered (Flexible)
540BT-5-R35C		36167-55 5:1 ratio	8530.401-360 1/2" x 35 FT.	3776-55 Volume Non-metered (Flex. Ext.)
540BT-5-R35D		36167-55 5:1 ratio	8530.401-360 1/2" x 35 FT.	37739-55 Standard Digital Meter
540BT-5-R35E		36167-55 5:1 ratio	8530.401-360 1/2" x 35 FT.	1515L Standard Mechanical Meter
540BT-5-R35F		36167-55 5:1 ratio	8530.401-360 1/2" x 35 FT.	37731-55 Non-metered (Rigid Ext.)
540BT-5-R35G		36167-55 5:1 ratio	8530.401-360 1/2" x 35 FT.	37777-55 Volume Non-metered (Rigid Ext.)
540BT-5-R35H		36167-55 5:1 ratio	8530.401-360 1/2" x 35 FT.	37709-55 Digital Pre-set Meter

MODELS WITH 5:1 PUMP - 50 FT. HOSE REEL

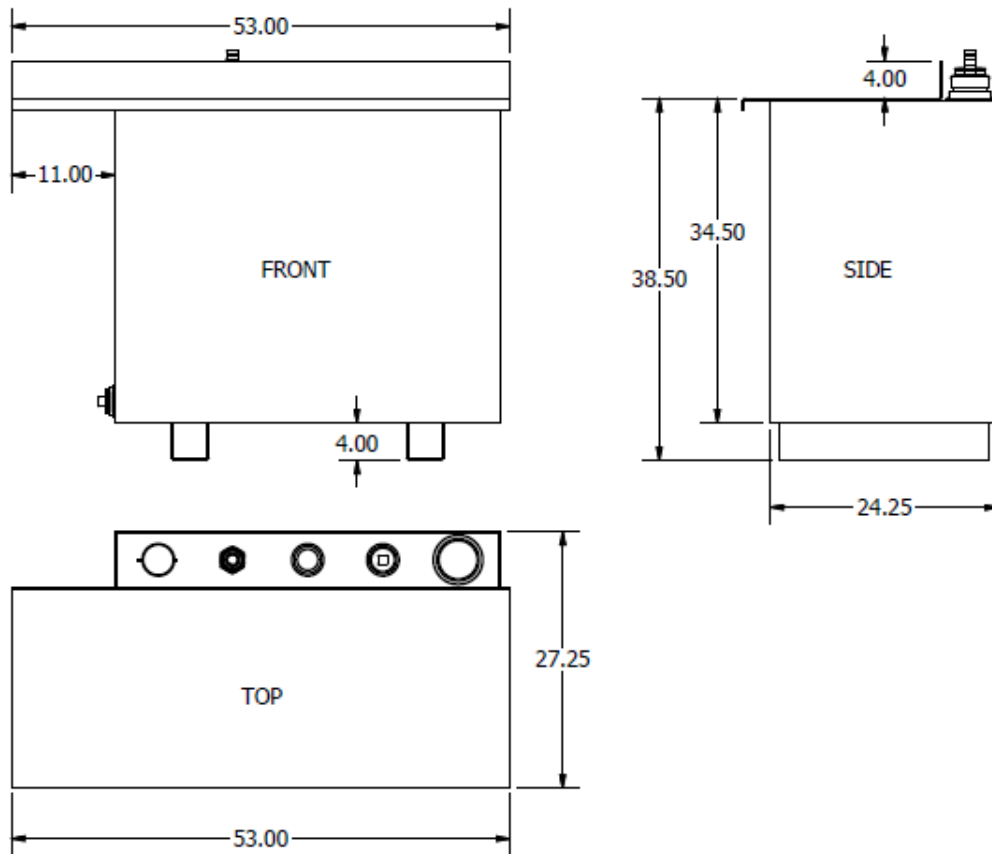
Model Number	Tank Capacity	Pump No. & Ratio	Hose Reel No. & Size	Dispense Valve No. & Type
540BT-5-R50A	540 Liter Bench Tank see dimensions and level chart on separate page	36167-55 5:1 ratio	8530.401-600 1/2" x 50 FT.	1520L Mechanical Pre-Set
540BT-5-R50B		36167-55 5:1 ratio	8530.401-600 1/2" x 50 FT.	37738-55 Non-metered (Flexible)
540BT-5-R50C		36167-55 5:1 ratio	8530.401-600 1/2" x 50 FT.	3776-55 Volume Non-metered (Flex. Ext.)
540BT-5-R50D		36167-55 5:1 ratio	8530.401-600 1/2" x 50 FT.	37739-55 Standard Digital Meter
540BT-5-R50E		36167-55 5:1 ratio	8530.401-600 1/2" x 50 FT.	1515L Standard Mechanical Meter
540BT-5-R50F		36167-55 5:1 ratio	8530.401-600 1/2" x 50 FT.	37731-55 Non-metered (Rigid Ext.)
540BT-5-R50G		36167-55 5:1 ratio	8530.401-600 1/2" x 50 FT.	37777-55 Volume Non-metered (Rigid Ext.)
540BT-5-R50H		36167-55 5:1 ratio	8530.401-600 1/2" x 50 FT.	37709-55 Digital Pre-set Meter



Lubrication & Fluid Handling Solutions

12 French Drive, Orangeville, ON Technical Sales : Bob Lewis Cell (519) 658-3204 E-Mail: bob@appliedlubrication.com

540 Liter Bench Tank Dimensions



Level Chart – 540 Liter Bench Tank

Inches Left in Tank	Liters Left in Tank	Inches Left in Tank	Liters Left in Tank	Inches Left in Tank	Liters Left in Tank	Inches Left in Tank	Liters Left in Tank
1"	16	11"	172	21"	329	31"	485
2"	31	12"	188	22"	344	32"	501
3"	47	13"	203	23"	360	33"	517
4"	63	14"	219	24"	376	34"	532
5"	78	15"	235	25"	391	34.5"	540
6"	94	16"	250	26"	407		
7"	110	17"	266	27"	423		
8"	125	18"	282	28"	438		
9"	141	19"	297	29"	454		
10"	157	20"	313	30"	470		