

1,500 Liter Bench Tank Packages - 3:1 Ratio Pumps

All bench tanks come with;
 1500BT 1,500 liter bench tank
 35567-55 3:1 ratio pump
 10/23-BT suction tube
 Bung bushing comes with pump
 37810-55 Ai line filter, regulator & gauge
 1/2" X 60" lube connect hose
 Air quick connect coupler
 Air quick connect nipple
Note: Air connect hose supplied by customer
 8530.401-360 1/2" x 35 FT. hose reel or
 8530.401-600 1/2" x 50 FT. hose reel
 Hose stop (comes with hose reel)
 Meter or Dispense Valve (see below)



MODELS WITH 3:1 PUMP - 35 FT. HOSE REEL

Model Number	Tank Capacity	Pump No. & Ratio	Hose Reel No. & Size	Dispense Valve No. & Type
1500BT-3-R35A	Part No. 1500BT 1,500 Liter Bench Tank see dimensions on back of this page	35567-55 3:1 ratio	8530.401-360 1/2" x 35 FT.	1520L Mechanical Pre-Set
1500BT-3-R35B		35567-55 3:1 ratio	8530.401-360 1/2" x 35 FT.	37738-55 Non-metered (Flexible)
1500BT-3-R35C		35567-55 3:1 ratio	8530.401-360 1/2" x 35 FT.	3776-55 Volume Non-metered (Flex. Ext.)
1500BT-3-R35D		35567-55 3:1 ratio	8530.401-360 1/2" x 35 FT.	37739-55 Standard Digital Meter
1500BT-3-R35E		35567-55 3:1 ratio	8530.401-360 1/2" x 35 FT.	1515L Standard Mechanical Meter
1500BT-3-R35F		35567-55 3:1 ratio	8530.401-360 1/2" x 35 FT.	37731-55 Non-metered (Rigid Ext.)
1500BT-3-R35G		35567-55 3:1 ratio	8530.401-360 1/2" x 35 FT.	37777-55 Volume Non-metered (Rigid Ext.)
1500BT-3-R35H		35567-55 3:1 ratio	8530.401-360 1/2" x 35 FT.	37709-55 Digital Pre-set Meter

MODELS WITH 3:1 PUMP - 50 FT. HOSE REEL

Model Number	Tank Capacity	Pump No. & Ratio	Hose Reel No. & Size	Dispense Valve No. & Type
1500BT-3-R50A	Part No. 1500BT 1,500 Liter Bench Tank see dimensions on back of this page	35567-55 3:1 ratio	8530.401-600 1/2" x 50 FT.	1520L Mechanical Pre-Set
1500BT-3-R50B		35567-55 3:1 ratio	8530.401-600 1/2" x 50 FT.	37738-55 Non-metered (Flexible)
1500BT-3-R50C		35567-55 3:1 ratio	8530.401-600 1/2" x 50 FT.	3776-55 Volume Non-metered (Flex. Ext.)
1500BT-3-R50D		35567-55 3:1 ratio	8530.401-600 1/2" x 50 FT.	37739-55 Standard Digital Meter
1500BT-3-R50E		35567-55 3:1 ratio	8530.401-600 1/2" x 50 FT.	1515L Standard Mechanical Meter
1500BT-3-R50F		35567-55 3:1 ratio	8530.401-600 1/2" x 50 FT.	37731-55 Non-metered (Rigid Ext.)
1500BT-3-R50G		35567-55 3:1 ratio	8530.401-600 1/2" x 50 FT.	37777-55 Volume Non-metered (Rigid Ext.)
1500BT-3-R50H		35567-55 3:1 ratio	8530.401-600 1/2" x 50 FT.	37709-55 Digital Pre-set Meter



Lubrication & Fluid Handling Solutions

12 French Drive, Orangeville, ON Technical Sales: Bob Lewis (519) 658-3204 bob@appliedlubrication.com

1,500 Liter Bench Tank Packages - 5:1 Ratio Pumps

All bench tanks come with;
 1500 BT 1,500 liter bench tank
 36167-55 5:1 ratio pump
 10/23-BT suction tube
 Bung bushing comes with pump
 37810-55 Ai line filter, regulator & gauge
 1/2" X 60" lube connect hose
 Air quick connect coupler
 Air quick connect nipple
Note: Air connect hose supplied by customer
 8530.401-360 1/2" x 35 FT. hose reel or
 8530.401-600 1/2" x 50 FT. hose reel
 Hose stop (comes with hose reel)
 Meter or Dispense Valve (see below)



MODELS WITH 5:1 PUMP - 35 FT. HOSE REEL

Model Number	Tank Capacity	Pump No. & Ratio	Hose Reel No. & Size	Dispense Valve No. & Type
1500BT-5-R35A	Part No. 1500BT 1,500 Liter Bench Tank see dimensions on back of this page	36167-55 5:1 ratio	8530.401-360 1/2" x 35 FT.	1520L Mechanical Pre-Set
1500BT-5-R35B		36167-55 5:1 ratio	8530.401-360 1/2" x 35 FT.	37738-55 Non-metered (Flexible)
1500BT-5-R35C		36167-55 5:1 ratio	8530.401-360 1/2" x 35 FT.	3776-55 Volume Non-metered (Flex. Ext.)
1500BT-5-R35D		36167-55 5:1 ratio	8530.401-360 1/2" x 35 FT.	37739-55 Standard Digital Meter
1500BT-5-R35E		36167-55 5:1 ratio	8530.401-360 1/2" x 35 FT.	1515L Standard Mechanical Meter
1500BT-5-R35F		36167-55 5:1 ratio	8530.401-360 1/2" x 35 FT.	37731-55 Non-metered (Rigid Ext.)
1500BT-5-R35G		36167-55 5:1 ratio	8530.401-360 1/2" x 35 FT.	37777-55 Volume Non-metered (Rigid Ext.)
1500BT-5-R35H		36167-55 5:1 ratio	8530.401-360 1/2" x 35 FT.	37709-55 Digital Pre-set Meter

MODELS WITH 5:1 PUMP - 50 FT. HOSE REEL

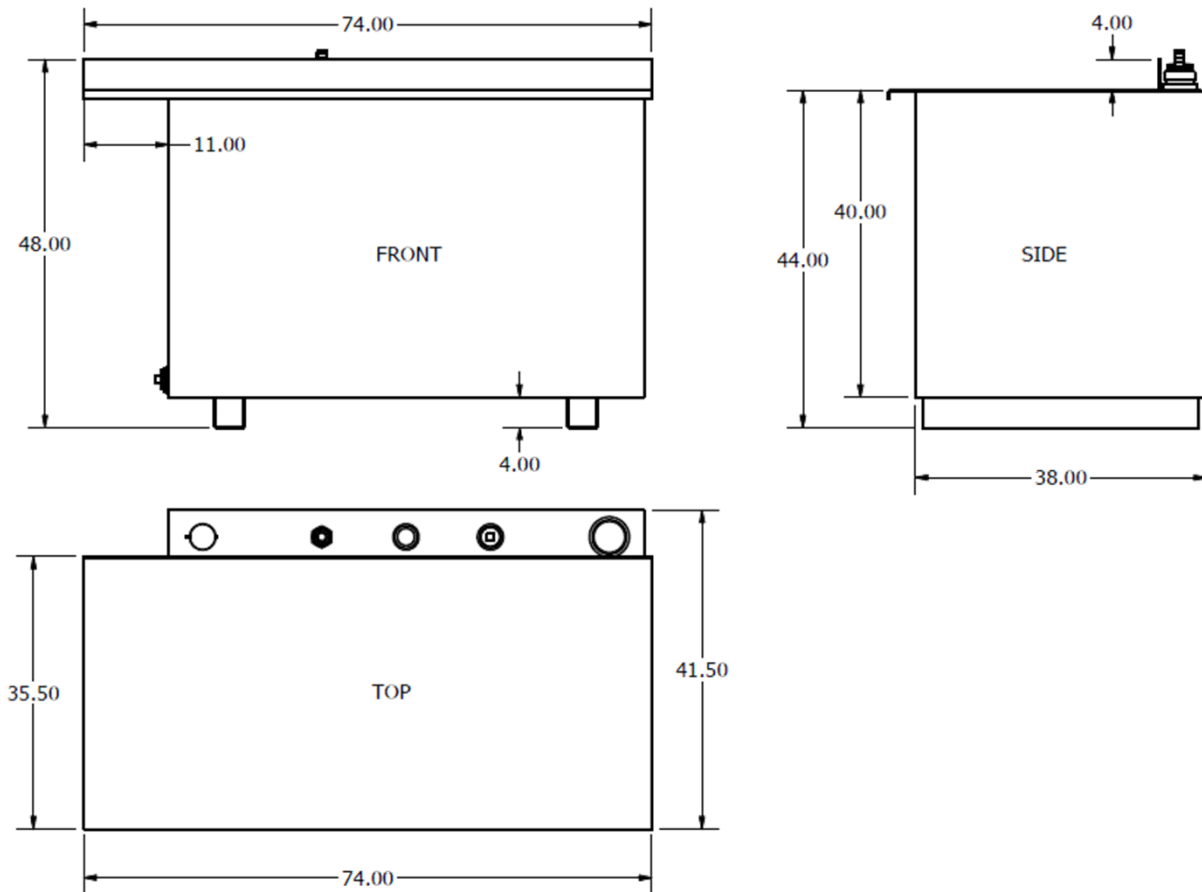
Model Number	Tank Capacity	Pump No. & Ratio	Hose Reel No. & Size	Dispense Valve No. & Type
1500BT-5-R50A	Part No. 1500BT 1,500 Liter Bench Tank see dimensions on back of this page	36167-55 5:1 ratio	8530.401-600 1/2" x 50 FT.	1520L Mechanical Pre-Set
1500BT-5-R50B		36167-55 5:1 ratio	8530.401-600 1/2" x 50 FT.	37738-55 Non-metered (Flexible)
1500BT-5-R50C		36167-55 5:1 ratio	8530.401-600 1/2" x 50 FT.	3776-55 Volume Non-metered (Flex. Ext.)
1500BT-5-R50D		36167-55 5:1 ratio	8530.401-600 1/2" x 50 FT.	37739-55 Standard Digital Meter
1500BT-5-R50E		36167-55 5:1 ratio	8530.401-600 1/2" x 50 FT.	1515L Standard Mechanical Meter
1500BT-5-R50F		36167-55 5:1 ratio	8530.401-600 1/2" x 50 FT.	37731-55 Non-metered (Rigid Ext.)
1500BT-5-R50G		36167-55 5:1 ratio	8530.401-600 1/2" x 50 FT.	37777-55 Volume Non-metered (Rigid Ext.)
1500BT-5-R50H		36167-55 5:1 ratio	8530.401-600 1/2" x 50 FT.	37709-55 Digital Pre-set Meter



Lubrication & Fluid Handling Solutions

12 French Drive, Orangeville, ON Technical Sales: Bob Lewis (519) 658-3204 bob@appliedlubrication.com

1,500 Liter Bench Tank Dimensions



Level Chart – 1,500 Liter Bench Tank

Inches Left in Tank	Liters Left in Tank	Inches Left in Tank	Liters Left in Tank	Inches Left in Tank	Liters Left in Tank	Inches Left in Tank	Liters Left in Tank
1"	38	11"	413	21"	788	31"	1,163
2"	75	12"	450	22"	825	32"	1,200
3"	113	13"	488	23"	863	33"	1,238
4"	150	14"	525	24"	900	34"	1,275
5"	188	15"	563	25"	938	35"	1,313
6"	225	16"	600	26"	975	36"	1,350
7"	263	17"	638	27"	1,013	37"	1,388
8"	300	18"	675	28"	1,050	38"	1,425
9"	338	19"	713	29"	1,088	39"	1,463
10"	375	20"	750	30"	1,125	40"	1,500