

## 1,140 Liter Bench Tank Packages - 3:1 Ratio Pumps

**All bench tanks come with;**  
 1,140 BTX 1,140 liter bench tank  
 35567-55 3:1 ratio pump  
 10/23-BT suction tube  
 Bung bushing comes with pump  
 37810-55 Ai line filter, regulator & gauge  
 1/2" X 60" lube connect hose  
 Air quick connect coupler – 1/4" NPT(f)  
 Air quick connect nipple – 1/4" NPT(m)  
**Note:** Air connect hose by customer  
 8530.401-360 1/2" x 35 FT. hose reel or  
 8530.401-600 1/2" x 50 FT. hose reel  
 Hose stop (comes with hose reel)  
 Meter or Dispense Valve (see below)



### MODELS WITH 3:1 PUMP - 35 FT. HOSE REEL

Model Number	Tank Capacity	Pump No. & Ratio	Hose Reel No. & Size	Dispense Valve No. & Type
<b>1140BT-3-R35A</b>	Part No. 1140BT  1,400 Liter Bench Tank  see dimensions and level chart on separate page	35567-55 3:1 ratio	8530.401-360 1/2" x 35 FT.	1520L Mechanical Pre-Set
<b>1140BT-3-R35B</b>		35567-55 3:1 ratio	8530.401-360 1/2" x 35 FT.	37738-55 Non-metered (Flexible)
<b>1140BT-3-R35C</b>		35567-55 3:1 ratio	8530.401-360 1/2" x 35 FT.	3776-55 Volume Non-metered (Flex. Ext.)
<b>1140BT-3-R35D</b>		35567-55 3:1 ratio	8530.401-360 1/2" x 35 FT.	37739-55 Standard Digital Meter
<b>1140BT-3-R35E</b>		35567-55 3:1 ratio	8530.401-360 1/2" x 35 FT.	1515L Standard Mechanical Meter
<b>1140BT-3-R35F</b>		35567-55 3:1 ratio	8530.401-360 1/2" x 35 FT.	37731-55 Non-metered (Rigid Ext.)
<b>1140BT-3-R35G</b>		35567-55 3:1 ratio	8530.401-360 1/2" x 35 FT.	37777-55 Volume Non-metered (Rigid Ext.)
<b>1140BT-3-R35H</b>		35567-55 3:1 ratio	8530.401-360 1/2" x 35 FT.	37709-55 Digital Pre-set Meter

### MODELS WITH 3:1 PUMP - 50 FT. HOSE REEL

Model Number	Tank Capacity	Pump No. & Ratio	Hose Reel No. & Size	Dispense Valve No. & Type
<b>1140BT-3-R50A</b>	Part No. 1140BT  1,400 Liter Bench Tank  see dimensions and level chart on separate page	35567-55 3:1 ratio	8530.401-600 1/2" x 50 FT.	1520L Mechanical Pre-Set
<b>1140BT-3-R50B</b>		35567-55 3:1 ratio	8530.401-600 1/2" x 50 FT.	37738-55 Non-metered (Flexible)
<b>1140BT-3-R50C</b>		35567-55 3:1 ratio	8530.401-600 1/2" x 50 FT.	3776-55 Volume Non-metered (Flex. Ext.)
<b>1140BT-3-R50D</b>		35567-55 3:1 ratio	8530.401-600 1/2" x 50 FT.	37739-55 Standard Digital Meter
<b>1140BT-3-R50E</b>		35567-55 3:1 ratio	8530.401-600 1/2" x 50 FT.	1515L Standard Mechanical Meter
<b>1140BT-3-R50F</b>		35567-55 3:1 ratio	8530.401-600 1/2" x 50 FT.	37731-55 Non-metered (Rigid Ext.)
<b>1140BT-3-R50G</b>		35567-55 3:1 ratio	8530.401-600 1/2" x 50 FT.	37777-55 Volume Non-metered (Rigid Ext.)
<b>1140BT-3-R50H</b>		35567-55 3:1 ratio	8530.401-600 1/2" x 50 FT.	37709-55 Digital Pre-set Meter



**Lubrication & Fluid Handling Solutions**

## 1,140 Liter Bench Tank Packages 5:1 Ratio Pumps

**All bench tanks come with;**  
 1,140 BTX 1,140 liter bench tank  
 36167-55 5:1 ratio pump  
 10/23-BT suction tube  
 Bung bushing comes with pump  
 37810-55 Ai line filter, regulator & gauge  
 1/2" X 60" lube connect hose  
 Air quick connect coupler – 1/4" NPT(f)  
 Air quick connect nipple – 1/4" NPT(m)  
**Note:** *Air connect hose by customer*  
 8530.401-360 1/2" x 35 FT. hose reel or  
 8530.401-600 1/2" x 50 FT. hose reel  
 Hose stop (comes with hose reel)  
 Meter or Dispense Valve (see below)



### MODELS WITH 5:1 PUMP - 35 FT. HOSE REEL

Model Number	Tank Capacity	Pump No. & Ratio	Hose Reel No. & Size	Dispense Valve No. & Type
1140BT-5-R35A	Part No. 1140BT  1,400 Liter Bench Tank  see dimensions on back of this page	36167-55 5:1 ratio	8530.401-360 1/2" x 35 FT.	1520L Mechanical Pre-Set
1140BT-5-R35B		36167-55 5:1 ratio	8530.401-360 1/2" x 35 FT.	37738-55 Non-metered (Flexible)
1140BT-5-R35C		36167-55 5:1 ratio	8530.401-360 1/2" x 35 FT.	3776-55 Volume Non-metered (Flex. Ext.)
1140BT-5-R35D		36167-55 5:1 ratio	8530.401-360 1/2" x 35 FT.	37739-55 Standard Digital Meter
1140BT-5-R35E		36167-55 5:1 ratio	8530.401-360 1/2" x 35 FT.	1515L Standard Mechanical Meter
1140BT-5-R35F		36167-55 5:1 ratio	8530.401-360 1/2" x 35 FT.	37731-55 Non-metered (Rigid Ext.)
1140BT-5-R35G		36167-55 5:1 ratio	8530.401-360 1/2" x 35 FT.	37777-55 Volume Non-metered (Rigid Ext.)
1140BT-5-R35H		36167-55 5:1 ratio	8530.401-360 1/2" x 35 FT.	37709-55 Digital Pre-set Meter

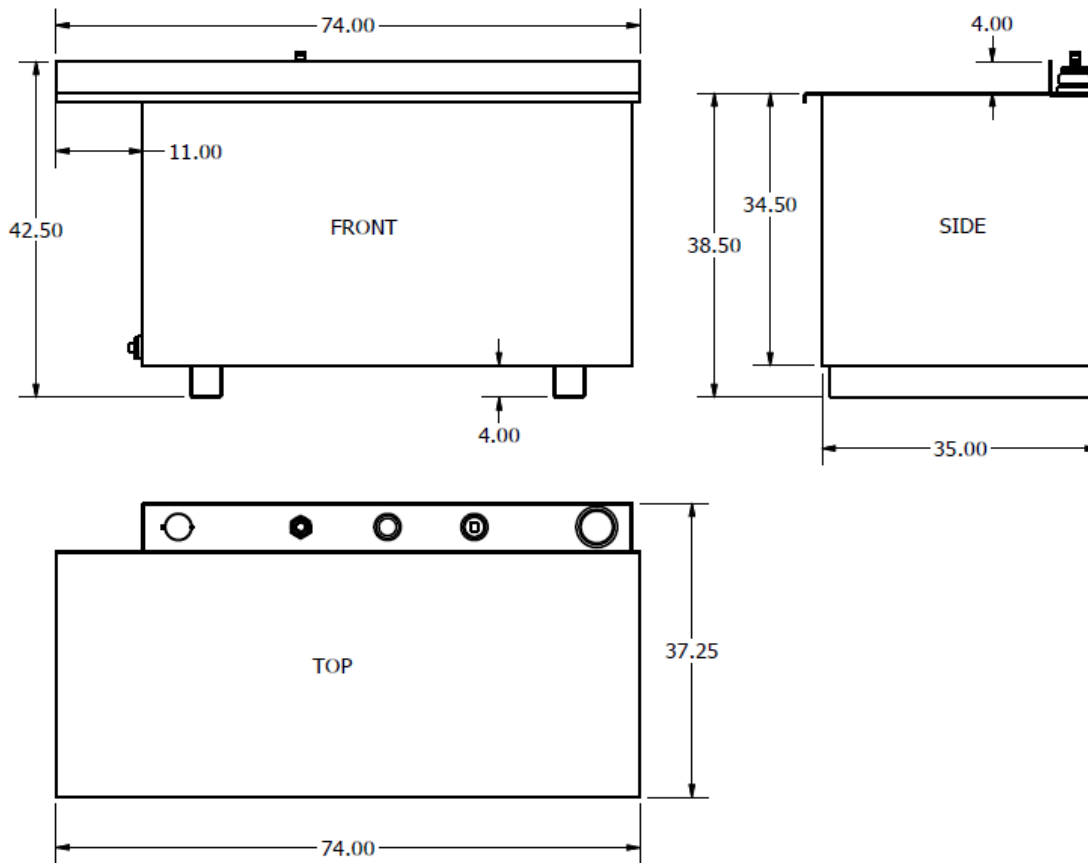
### MODELS WITH 5:1 PUMP - 50 FT. HOSE REEL

Model Number	Tank Capacity	Pump No. & Ratio	Hose Reel No. & Size	Dispense Valve No. & Type
1140BT-5-R50A	Part No. 1140BT  1,400 Liter Bench Tank  see dimensions on back of this page	36167-55 5:1 ratio	8530.401-600 1/2" x 50 FT.	1520L Mechanical Pre-Set
1140BT-5-R50B		36167-55 5:1 ratio	8530.401-600 1/2" x 50 FT.	37738-55 Non-metered (Flexible)
1140BT-5-R50C		36167-55 5:1 ratio	8530.401-600 1/2" x 50 FT.	3776-55 Volume Non-metered (Flex. Ext.)
1140BT-5-R50D		36167-55 5:1 ratio	8530.401-600 1/2" x 50 FT.	37739-55 Standard Digital Meter
1140BT-5-R50E		36167-55 5:1 ratio	8530.401-600 1/2" x 50 FT.	1515L Standard Mechanical Meter
1140BT-5-R50F		36167-55 5:1 ratio	8530.401-600 1/2" x 50 FT.	37731-55 Non-metered (Rigid Ext.)
1140BT-5-R50G		36167-55 5:1 ratio	8530.401-600 1/2" x 50 FT.	37777-55 Volume Non-metered (Rigid Ext.)
1140BT-5-R50H		36167-55 5:1 ratio	8530.401-600 1/2" x 50 FT.	37709-55 Digital Pre-set Meter



**Lubrication & Fluid Handling Solutions**

## 1,140 Liter Bench Tank Dimensions



## Level Chart – 1,140 Liter Bench Tank

Inches Left in Tank	Liters Left in Tank	Inches Left in Tank	Liters Left in Tank	Inches Left in Tank	Liters Left in Tank	Inches Left in Tank	Liters Left in Tank
1"	33	11"	363	21"	694	31"	1,024
2"	66	12"	397	22"	727	32"	1,057
3"	99	13"	430	23"	760	33"	1,090
4"	132	14"	463	24"	793	34"	1,123
5"	165	15"	496	25"	826	34.5"	1,140
6"	198	16"	529	26"	859		
7"	231	17"	562	27"	892		
8"	264	18"	595	28"	925		
9"	297	19"	628	29"	958		
10"	330	20"	661	30"	991		